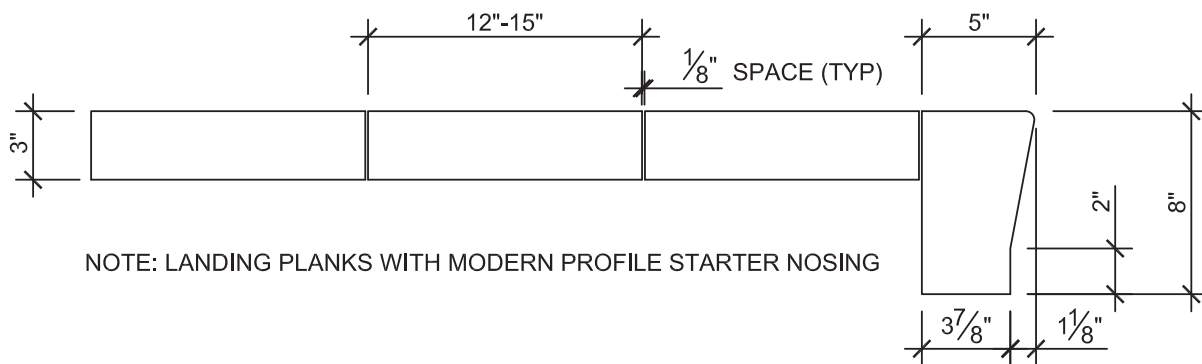
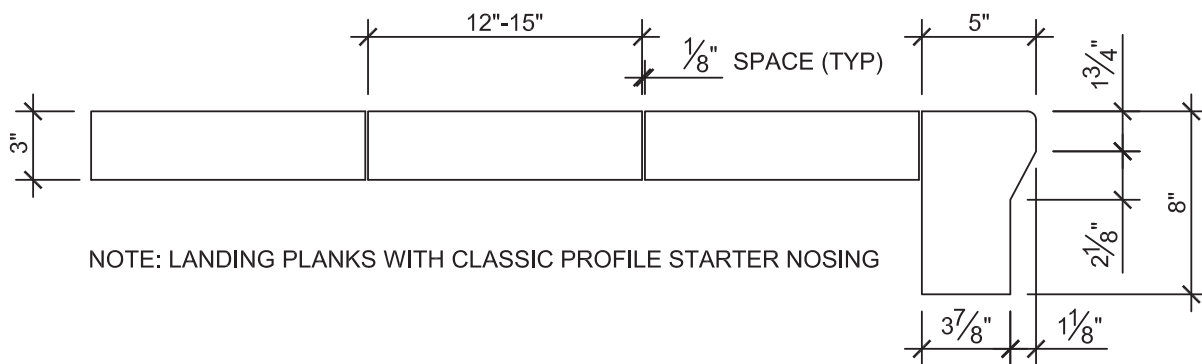


FILE: STP-5.0-13
REV: 06.02.11



STRAIGHT LANDING - SECTION

SCALE: N.T.S.

FILE: STP-5.0-13